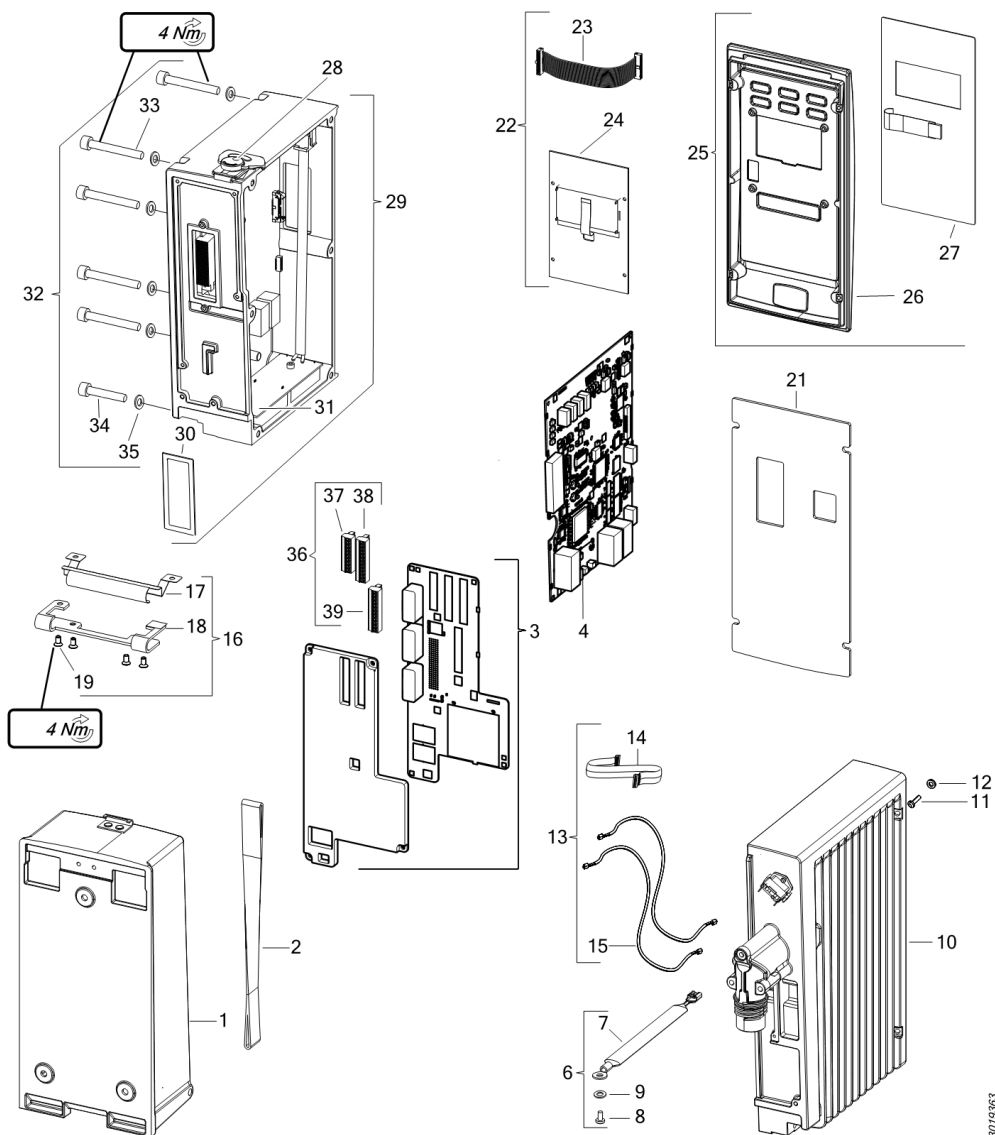


PowerMACS

Spare part list



3015963

| Viitenr | Tellimisnr | Qty | Kirjeldus | Remark / included in Service kit |
|------------|------------|-----|------------------------------------|--|
| 1 | 4222098291 | 1 | Back panel without ethernet switch | |
| 2 | 4222098293 | 1 | Support strap | |
| 3 | 4222321191 | 1 | Connector board, compl. | Secondary TC |
| 4 | 4222321091 | 1 | Control card secondary | Secondary TC |
| 6 (7-9) | 4222118290 | 1 | Ground cable, compl. | |
| 7 | | 1 | Ground cable | Osa kuulub komplekti 4222118290 Ground cable, compl. |
| 8 | | 1 | Screw | Osa kuulub komplekti 4222118290 Ground cable, compl. MRT M4x8 8.8 FZB |
| 9 | | 1 | Washer | Osa kuulub komplekti 4222118290 Ground cable, compl., 4222141890 Screws, compl., 4082005390 Small part kit 4.3 FZB HV350-425 |
| 10 | 4222097790 | 1 | Drive side, compl. | |
| 11 | 4222141891 | 4 | Screw | MRT M4x14 8.8 Black |
| 12 | 4222141991 | 4 | Lock washer | |
| 13 (14-15) | 4222103290 | 1 | Cable drive board, compl. | |
| 14 | | 1 | Cable drive card | Osa kuulub komplekti 4222103290 Cable drive board, compl. |
| 15 | | 2 | Cable emergency stop | Osa kuulub komplekti 4222103290 Cable drive board, compl. |
| 16 (17-19) | 4222099590 | 1 | Back panel bracket, compl. | |
| 17 | | 1 | Locking spring | Osa kuulub komplekti 4222099590 Back panel bracket, compl. |
| 18 | | 1 | Back panel bracket | Osa kuulub komplekti 4222099590 Back panel bracket, compl. |
| 19 | | 4 | Screw | Osa kuulub komplekti 4222099590 Back panel bracket, compl., 4082005390 Small part kit MFTS M5x10 Black |
| 21 | 4222102990 | 1 | Front gasket | |
| 22 (23-24) | 4222099991 | 1 | Display card, compl | |
| 23 | | 1 | Display cable | Osa kuulub komplekti 4222099991 Display card, compl |
| 24 | | 1 | Display card | Osa kuulub komplekti 4222099991 Display card, compl |
| 25 (26-27) | 4222098191 | 1 | Front, compl. | Secondary TC Secondary TC |
| 26 | | 1 | Front, | Osa kuulub komplekti 4222098191 Front, compl. Secondary TC |
| 27 | | 1 | Membrane panel | Osa kuulub komplekti 4222098191 Front, compl. Secondary TC |
| 28 | 4222036301 | 1 | Lock | |
| 29 (30-31) | 4222097990 | 1 | Tc side assembly | Without 4222 0980 90 pos. 20 Without 4222 0980 90 pos. 20 |
| 30 | | 1 | Gasket | Osa kuulub komplekti 4222097990 Tc side assembly |
| 31 | | 1 | Resistor board | Osa kuulub komplekti 4222097990 Tc side assembly |
| 32 (33-35) | 4222141890 | 1 | Screws, compl. | |
| 33 | | 5 | Screw | Osa kuulub komplekti 4222141890 Screws, compl. MC 6S 8.8 M5x80 FZ Black |
| 34 | | 1 | Screw | Osa kuulub komplekti 4222141890 Screws, compl. MC 6S 8.8 M5x70 FZ Black |
| 35 | | 6 | Lock washer | Osa kuulub komplekti 4222141890 Screws, compl., 4082005390 Small part kit 5.3x10 |
| 36 (37-39) | 4222123690 | 1 | Connector set | |
| 37 | | 1 | Plug | Osa kuulub komplekti 4222178990 Connector board, compl., 4222123695 Plug kit, 4222328190 Connector board, compl., 4222123690 Connector set, 4222168990 Cover, 4222311793 Cover, 4222163895 Plug kit Dig In |
| 38 | | 1 | Connector | Osa kuulub komplekti 4222123690 Connector set E-stop in |
| 39 | | 1 | Plug | Osa kuulub komplekti 4222178990 Connector board, compl., 4222123695 Plug kit, 4222328190 Connector board, compl., 4222123690 Connector set, 4222168990 Cover, 4222311793 Cover, 4222163895 Plug kit Relay out |