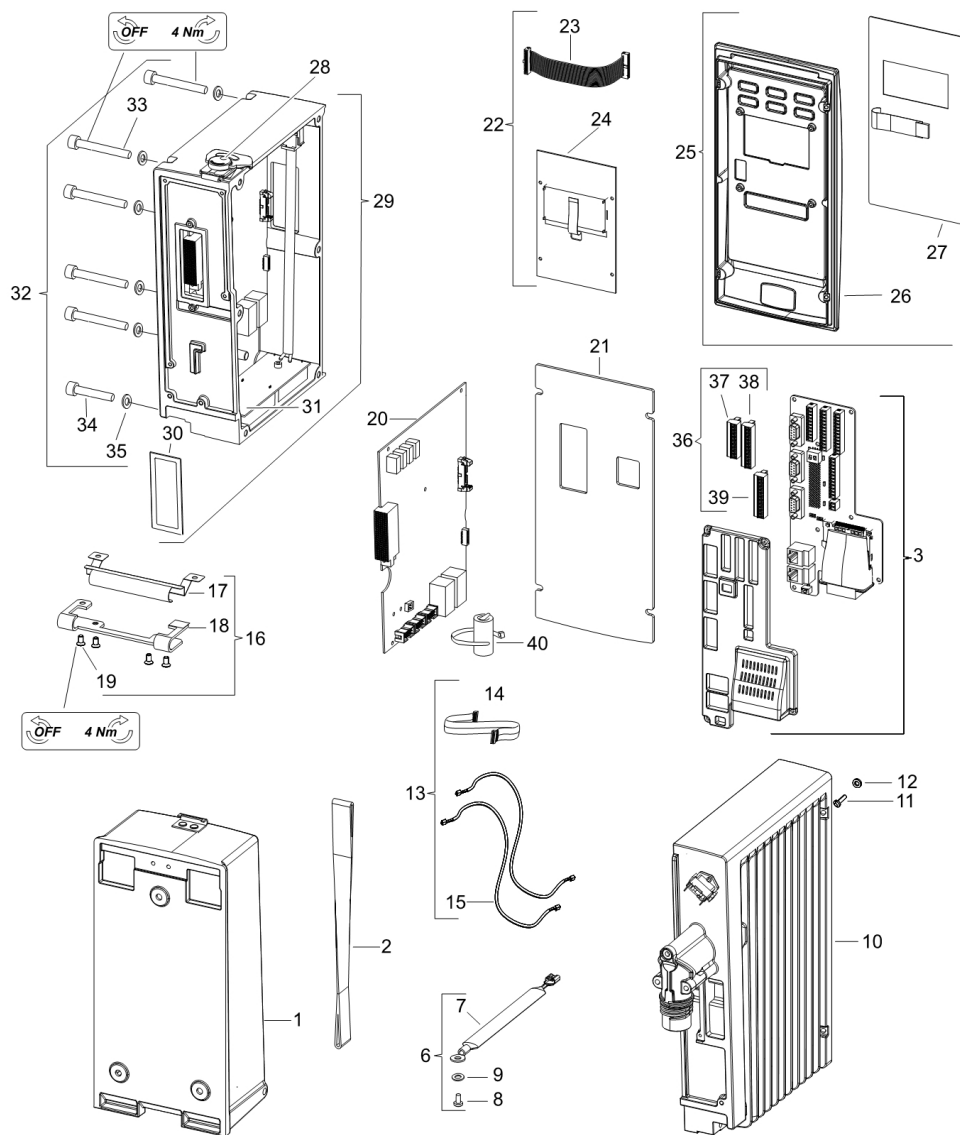


PowerMACS 4000 - Primary

Spare part list



3019350

| Viitenr | Tellimisnr | Qty | Kirjeldus | Remark / included in Service kit |
|------------|------------|-----|------------------------------------|--|
| 1 | 4222098291 | 1 | Back panel without ethernet switch | |
| 2 | 4222098293 | 1 | Support strap | |
| 3 | | 1 | Connector board, compl. | Primary TC |
| 3 | | 1 | Field bus module | |
| 6 (7-9) | 4222118290 | 1 | Ground cable, compl. | |
| 7 | | 1 | Ground cable | Osa kuulub komplekti 4222118290 Ground cable, compl. |
| 8 | | 1 | Screw | Osa kuulub komplekti 4222118290 Ground cable, compl. MRT M4x8 8.8 FZB |
| 9 | | 1 | Washer | Osa kuulub komplekti 4222118290 Ground cable, compl., 4222141890 Screws, compl., 4082005390 Small part kit, Osa kuulub komplekti 4222118290 Ground cable, compl., 4222141890 Screws, compl., 4082005390 Small part kit 4.3 FZB HV350-425 |
| 10 | 4222097790 | 1 | Drive side, compl. | |
| 11 | | 4 | Screw | MRT M4x14 8.8 Black |
| 12 | | 4 | Lock washer | |
| 13 (14-15) | 4222103290 | 1 | Cable drive board, compl. | |
| 14 | | 1 | Cable drive card | Osa kuulub komplekti 4222103290 Cable drive board, compl. |
| 15 | | 2 | Cable emergency stop | Osa kuulub komplekti 4222103290 Cable drive board, compl. |
| 16 (17-19) | 4222099590 | 1 | Back panel bracket, compl. | |
| 17 | | 1 | Locking spring | Osa kuulub komplekti 4222099590 Back panel bracket, compl. |
| 18 | | 1 | Back panel bracket | Osa kuulub komplekti 4222099590 Back panel bracket, compl. |
| 19 | | 4 | Screw | Osa kuulub komplekti 4222099590 Back panel bracket, compl., 4082005390 Small part kit MFTS M5x10 Black |
| 20 | | 1 | Control board | Primary TC |
| 21 | 4222102990 | 1 | Front gasket | |
| 22 (23-24) | 4222099991 | 1 | Display card, compl | |
| 23 | | 1 | Display cable | Osa kuulub komplekti 4222099991 Display card, compl |
| 24 | | 1 | Display card | Osa kuulub komplekti 4222099991 Display card, compl |
| 25 (26-27) | 4222098190 | 1 | Front, compl. | Primary TC Primary TC |
| 26 | | 1 | Front | Osa kuulub komplekti 4222098190 Front, compl. |
| 27 | | 1 | Membrane panel primary | Osa kuulub komplekti 4222098190 Front, compl. Primary TC |
| 28 | | 1 | Lock | |
| 29 (30-31) | 4222097990 | 1 | Tc side assembly | Without 4222 0980 90 pos. 20 Without 4222 0980 90 pos. 20 |
| 30 | | 1 | Gasket | Osa kuulub komplekti 4222097990 Tc side assembly |
| 31 | | 1 | Resistor board | Osa kuulub komplekti 4222097990 Tc side assembly |
| 32 (33-35) | 4222141890 | 1 | Screws, compl. | |
| 33 | | 5 | Screw | Osa kuulub komplekti 4222141890 Screws, compl. MC 6S 8.8 M5x80 FZ Black |
| 34 | | 1 | Screw | Osa kuulub komplekti 4222141890 Screws, compl. MC 6S 8.8 M5x70 FZ Black |
| 35 | | 6 | Washer | Osa kuulub komplekti 4222118290 Ground cable, compl., 4222141890 Screws, compl., 4082005390 Small part kit, Osa kuulub komplekti 4222118290 Ground cable, compl., 4222141890 Screws, compl., 4082005390 Small part kit 4.3 FZB HV350-425 |
| 36 (37-39) | 4222123690 | 1 | Connector set | |
| 37 | | 1 | Plug | Osa kuulub komplekti 4222178990 Connector board, compl., 4222123695 Plug kit, 4222328190 Connector board, compl., 4222123690 Connector set, 4222168990 Cover, 4222311793 Cover, 4222163895 Plug kit Dig In |
| 38 | | 1 | Connector | Osa kuulub komplekti 4222123690 Connector set E-stop in |
| 39 | | 1 | Plug | Osa kuulub komplekti 4222178990 Connector board, compl., 4222123695 Plug kit, 4222328190 Connector board, compl., 4222123690 Connector set, 4222168990 Cover, 4222311793 Cover, 4222163895 Plug kit Relay out |

| Viitenr | Tellimisnr | Qty | Kirjeldus | Remark / included in Service kit |
|---------|------------|-----|-----------|---|
| 40 | 4222098099 | 1 | Battery | Complete with front gasket (pos. 21) and label |