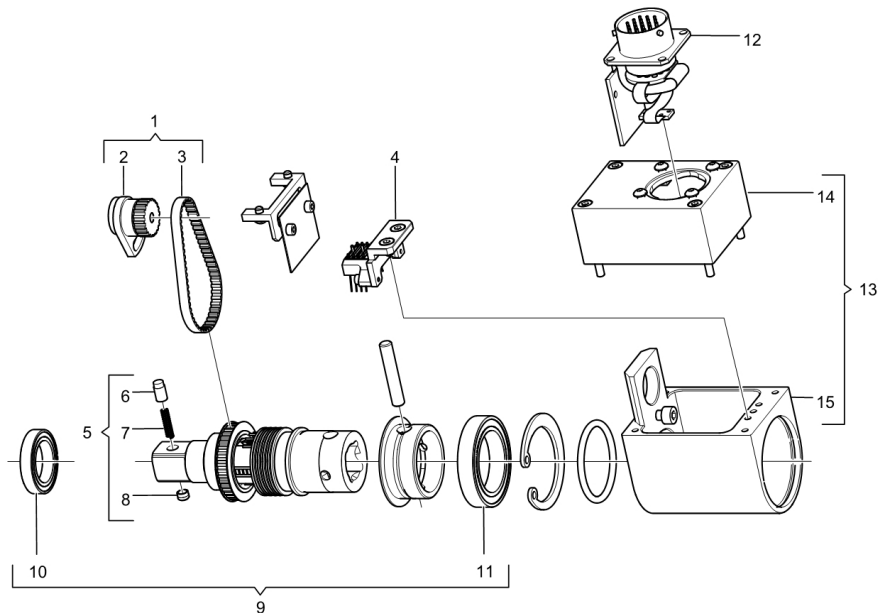


# IRTT-B 180Nm

Spare part list



Ref.no.	Ordering number	Qty	Description	Remark / included in Service kit
1 (2-3)	4612900155	1	Encoder, compl.	
2		1	Encoder	Part is included in kit 4612900155 Encoder, compl.
3		1	Spline belt	Part is included in kit 4612900155 Encoder, compl.
4	4612239308	1	Brushes	
5 (6-8)	4612900037	1	Retaining pin, compl.	
6		1	Pin	Part is included in kit 4612900037 Retaining pin, compl.
7		1	Spring	Part is included in kit 4612900037 Retaining pin, compl.
8		1	Pin cap	Part is included in kit 4612900037 Retaining pin, compl.
9 (10-11)	4612900021	1	Bearings	
10		1	Ball Bearing	Part is included in kit 4612900021 Bearings, 4612900208 Bearing kit
11		1	Ball Bearing	Part is included in kit 4612900021 Bearings, 4612900208 Bearing kit
12	4612032103	1	PCB	
13 (14-15)	4612900031	1	Cover, compl.	
14		1	Cover	Part is included in kit 4612900031 Cover, compl.
15		1	Body	Part is included in kit 4612900031 Cover, compl.